

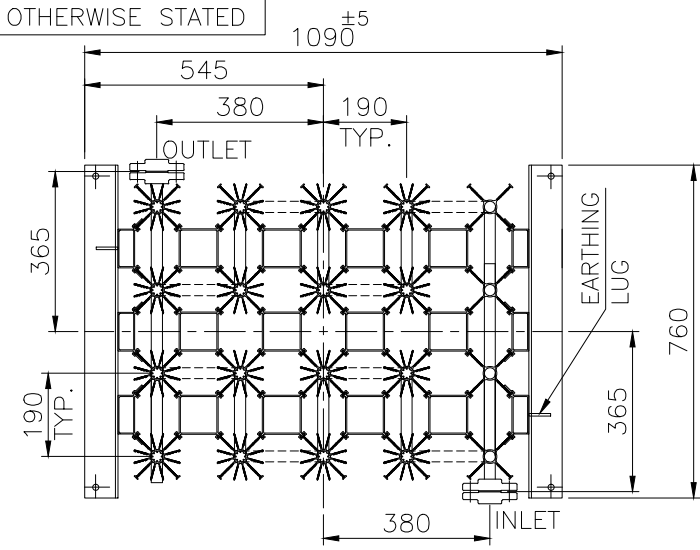
ALL DIMENSIONS ARE IN mm.
UNLESS OTHERWISE STATED

DESIGN DATA

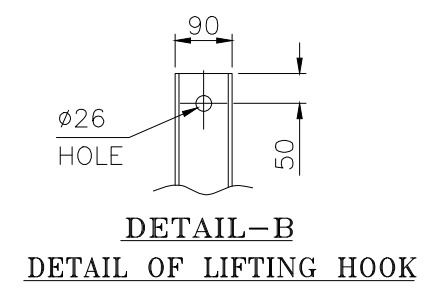
NO.	DESCRIPTION	UNIT	DATA
01	DESIGN CODE	---	ASME SEC VIII DIV 1, ED2013
02	MAX. OPERATING PRESSURE	Kg/cm ² (g)	38.0
03	DESIGN PRESSURE	Kg/cm ² (g)	40.0
04	PNEUMATIC TEST PRESSURE	Kg/cm ² (g)	44.0
05	DESIGN TEMPERATURE	DEG. C	-196° to +65°
06	INLET FLANGE CONNECTION (SORF)	---	1" NB 300# (ANSI B16.5)
07	OUTLET FLANGE CONNECTION (SORF)	---	1" NB 300# (ANSI B16.5)
08	APPROXIMATE WEIGHT (EMPTY)	Kg	180 APPROX.
09	APPROXIMATE WEIGHT (OPERATING)	Kg	270 APPROX.

MATERIAL OF CONSTRUCTION

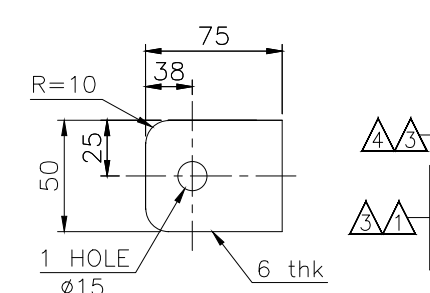
FINNED EXTRUSION	SB221A96063T5
HEADER, PIPE	SB241A96063T5
FRAME WORK/EARTHING LUG	SB221A96063T6
BRACKET	SB221A96063T5
FLANGES	SB221A96063T6
COUNTER FLANGE	SA182 F304
STUD/NUT/WASHER	SA193 Gr. B8/ SA194 GR. 8
GASKET	PTFE
FOUNDATION BOLT	IS;2062 GR.B/A36



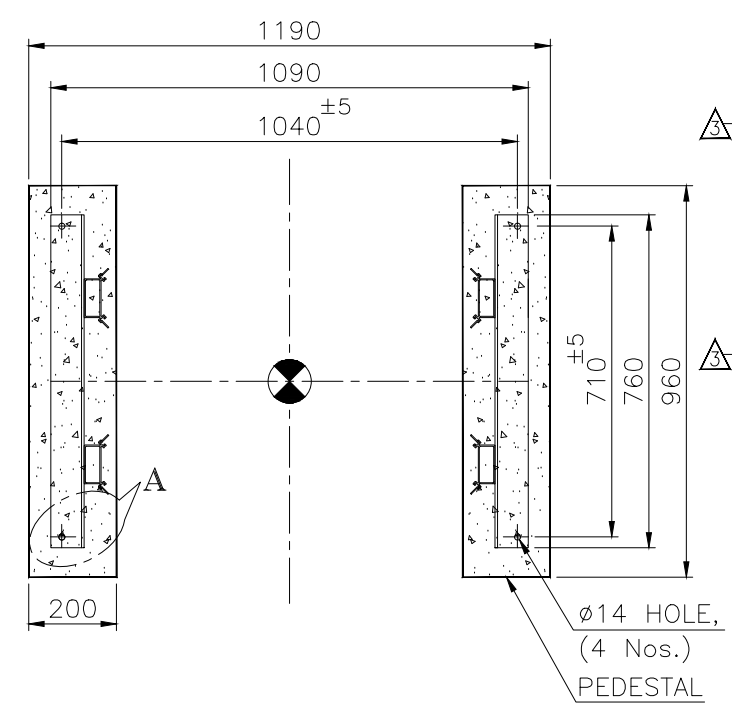
PLAN



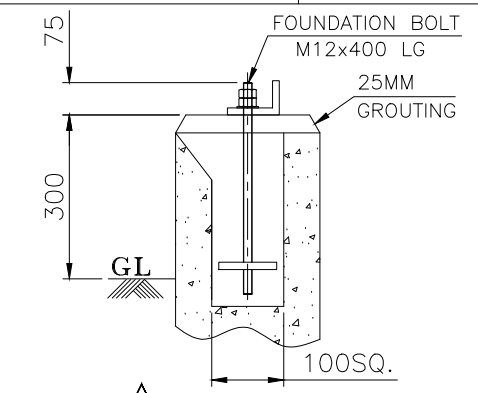
DETAIL-B
DETAIL OF LIFTING HOOK



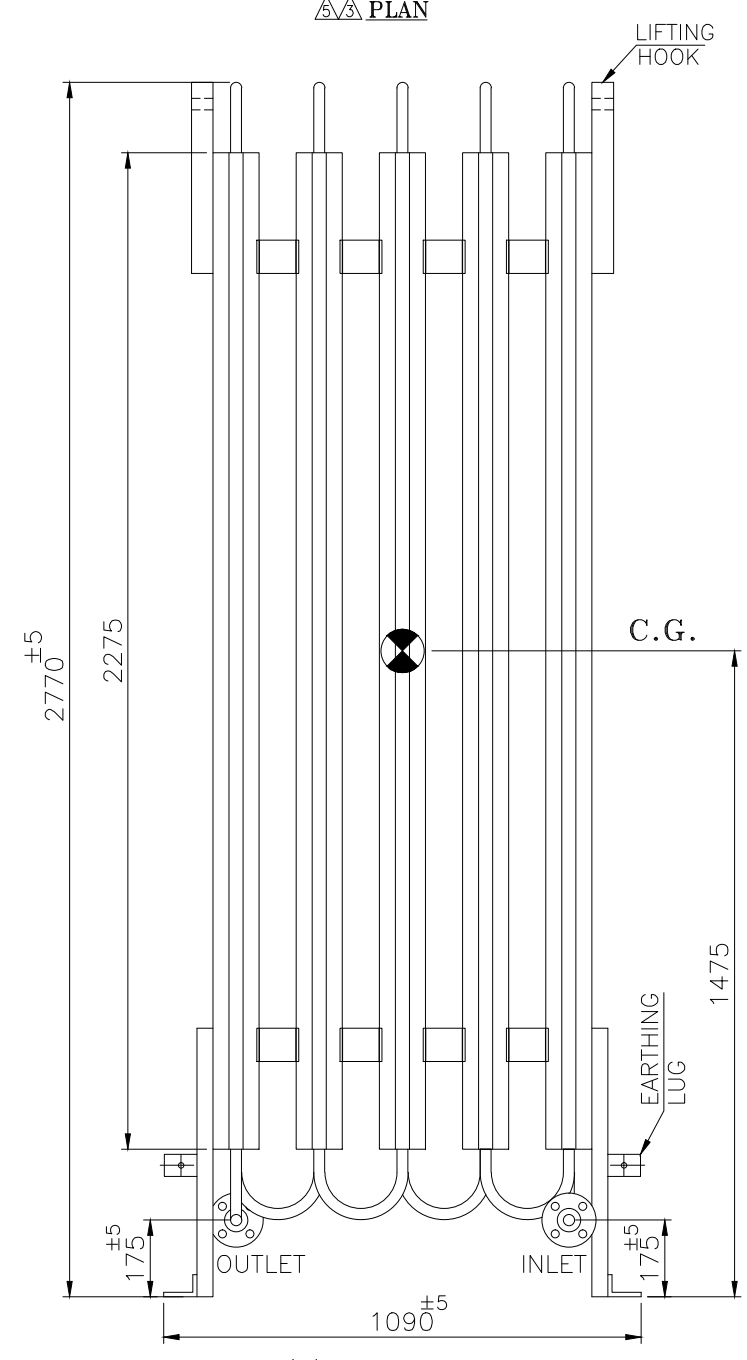
DETAIL OF
EARTHING LUG
QTY.-2 NOS.



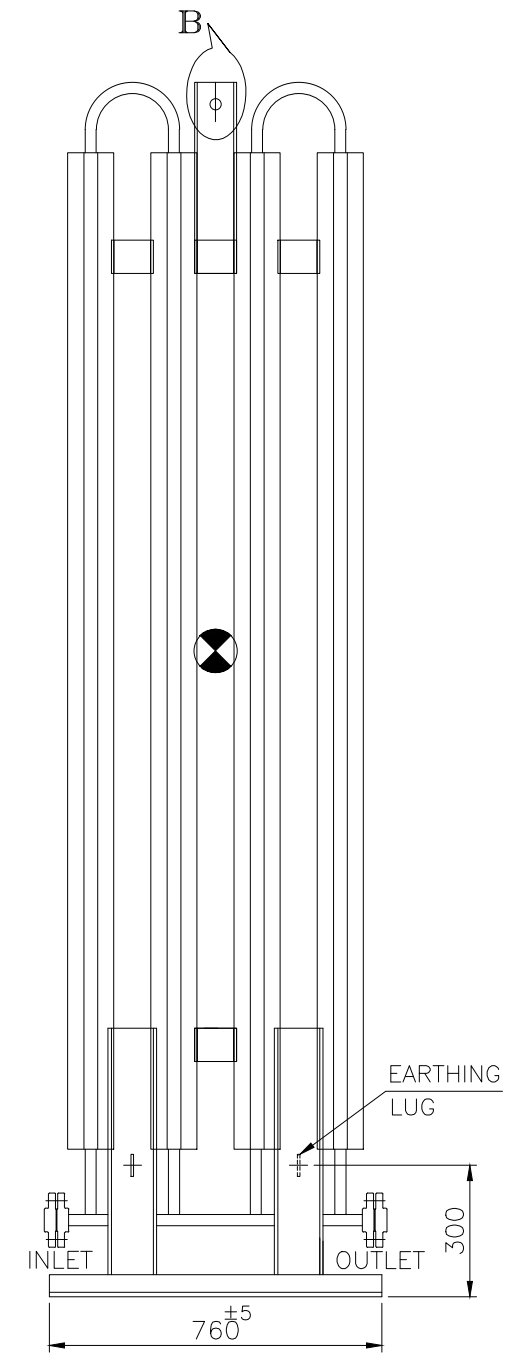
MOUNTING DETAIL



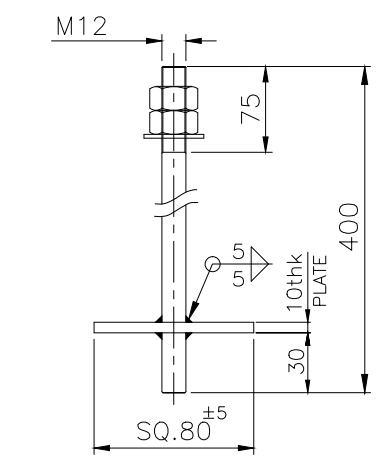
DETAIL-A
FOUNDATION POCKET



ELEVATION



SIDE VIEW



FOUNDATION BOLT
(NOT IN INOX SCOPE)

REV.	DATE	DRN BY	DESCRIPTION	REVISED ZONE	CHD.BY	APPD.BY
05	25.02.16	SBC	REVISED AS MARKED	ALL	US	RK/DVP
04	09.12.14	SMP	DESIGN CODE EDITION REVISED	A8	ASP	DAV
03	07.04.12	NIRAJ	DESIGN & PNEUMATIC TEST PR.MODIFIED	ALL	NVK	JPP
02	21.07.08	Shailendra	REVISED AS MARKED.	C5	DVP	DVP
01	01.04.06	HMP	DESIGN PRESSURE REVISED	A8		

REF.DRG.: -	WO.NO.: STD				
DRN Himanshu	CAD FILE: AVC-200-012				
CHD D.V.P.	TITLE.-	GENERAL ARRANGEMENT & FOUNDATION DETAIL OF ATMOSPHERIC VAPORISER			
APPD D.V.P.					
SCALE N.T.S.		(MODEL-AVC200)			
DATE 28.08.2005					

INOX INDIA LTD VADODARA

DRAWING NO.	REV.
AVC-200-012	5