

57 SERIES

2-PIECE BALL VALVE

Cryogenic, Steam, Water, Air & Gases
Working Pressure 0 - 3,500kpa
General Process Application



The 57 Series ball valves, is a rugged ball valve designed for applications where dependability of the valve is most critical. With minimal moving parts, and engineered to withstand the most rugged conditions, this valve is a commonly specified solution to critical safety applications.

This valve can be manually operated, or fitted with an actuator for remote control.

SELECTION & APPLICATION

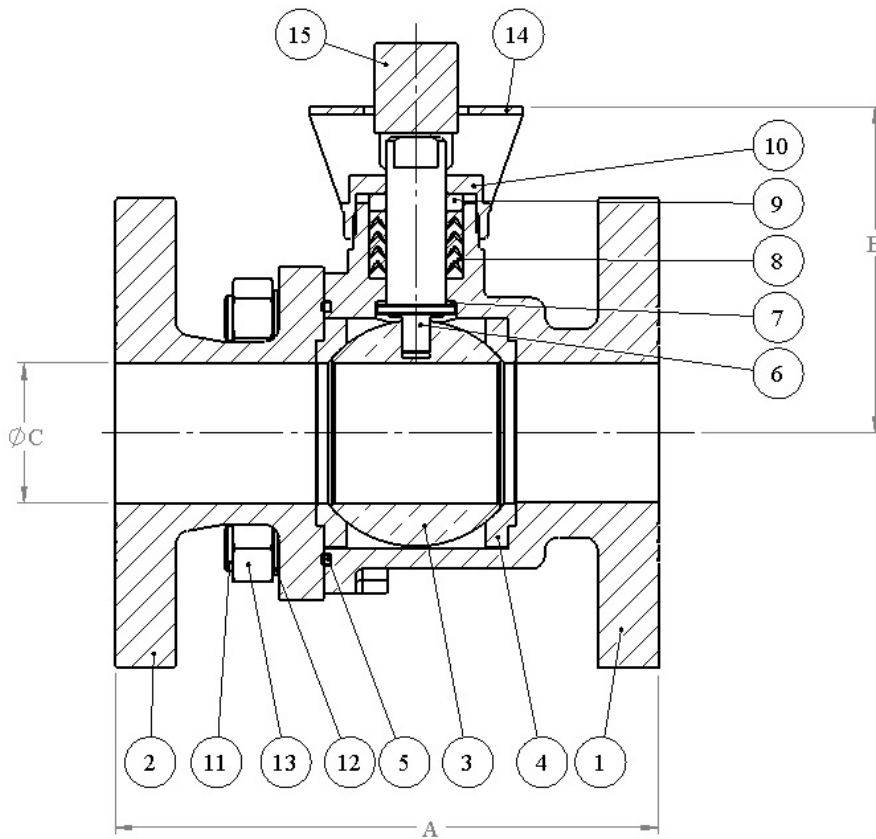
The 2-piece ball valve range is suitable for Liquid, Gas & Oxygen Services and available in sizes from 20mm to 150mm with screwed and flanged ends. Depending on application, it can also be either lever operated, or remotely controlled with an added actuator.

PRODUCT NUMBERING

3-Piece Ball Valves

57	-	##	Material of Construction			End Connection		-	###
Base No.	-	Material of Construction			End Connection		-	Size	
		Body		Trim	Packing Seats				
57	1	Bronze	1	BR	PTFE/PCTFE		08	Rc - BSPT	020
	3	Stainless Steel	3	SS	PTFE/PCTFE		8A	NPT	025
							1M	PN 16	040
							2M	PN 21	050
							3M	PN 32	065
							1A	ANSI 150	080
							3A	ANSI 300	100
							02	Table H	125
									150

All build options are available from Mack on special order, thus enabling clients to create their own specifications for their own specific needs, but our stock is based around common material specifications favoured by the cryogenic, steam and general process industries.



ITEM NO.	DESCRIPTION
1	Body
2	Cap
3	Ball
4	Seat
5	Gasket
6	Spindle
7	Thrust Washer
8	Vee Packing
9	Gland
10	Gland Nut
11	Stud
12	Washer
13	Nut
14	Bracket
15	Coupling

Dimensions & Properties

	Dimensions			Weight (Kg)
	Face to Face (A)	Centre to Top (B)	Bore (C)	Kg
20mm	143	80	19	4
25mm	154	87	25	6
40mm	165	101	36	9
50mm	178	115	49	13
65mm	194	152	62	19
80mm	200	172	73	28
100mm	231	191	98	41
125mm	292	231	127	81
150mm	359	289	152	122

Notes:

