



The Mack 3-Way Diverting Valve is ideally suited for small storage tank solutions where size and weight are important. With a weight starting at only 1.5kgs in weight, it may not require a large amount of bracketing to ensure it is rigid in location. This aids it in being lighter and safer in all transport situations.

The 103 Series Diverting Valve is a smaller flow diverter, making it suitable across a wide range of applications.

Manufactured in Melbourne, Australia, each part is machined and carefully inspected before assembly, to ensure its been machined as per design specifications and tolerances. This practice ensures its dependability through application, in the tight confines, yet not risking leaks and safety of the surrounding environment.

SELECTION & APPLICATION

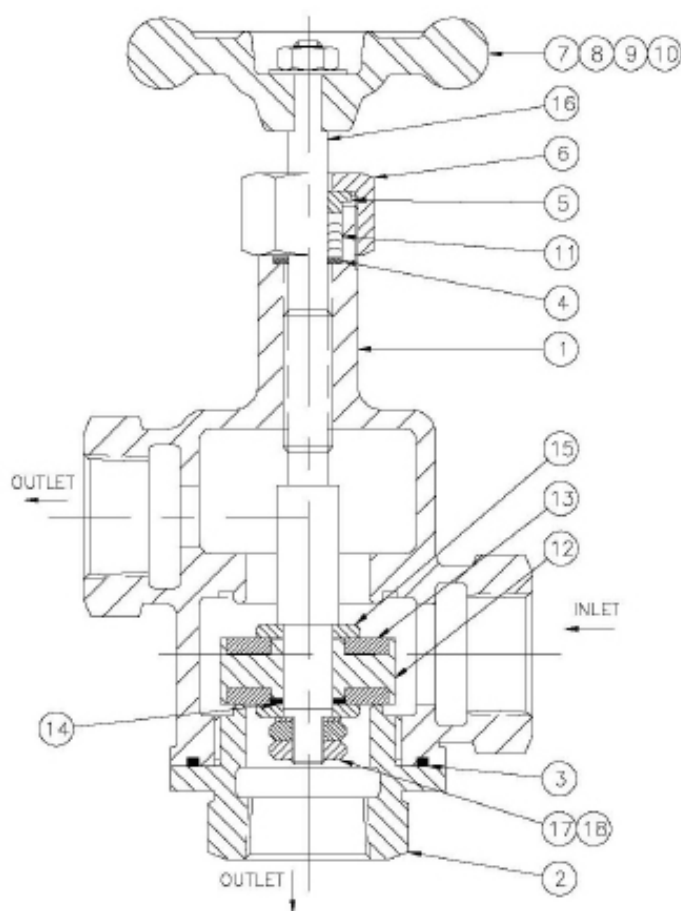
The 103 series diverter valve is particularly suited for micro-bulk and small storage units, and will operate in any liquid cylinder application. With it's small size and weight, installation becomes less complicated and costly, additionally contributing to a reduction in overall transport costs.

The valve will operate from -196°C through to +190°C. The cap over the handle nut, can be custom printed for application.

PRODUCT NUMBERING

3-Way Diverting Valve										
103	-	#	#				##		-	###
Base No.	-	Material of Construction					End Connection		-	Size (mm)
		Body	Trim	Spindle	Disc					
103		1	Bronze	2	BR	SS	PTFE	08	Rc - BSPT	015
		2	Stainless Steel	3	SS			8A	NPT	020
										025
										040
										050

All build options are available from Mack on special order, thus enabling clients to create their own specifications for their own specific needs, but our stock is based around common material specifications favoured by the cryogenic, steam and general process industries.



ITEM NO.	DESCRIPTION
1	Top Body
2	End Cap
3	Gasket
4	Gland Washer
5	Gland
6	Gland Nut
7	Handwheel
8	Washer
9	Dome Nut
10	Name Plate
11	V-Packing
12	Disc Holder
13	Disc Washer
14	Disc Seal
15	Disc
16	Spindle
17	Hex Nut
18	Lock Nut

	Face to Face NPT/BSPT	Height mm Open	Handwheel ØG	Cv US Gal/Min	Kv m ³ /hr	Weight Kg (Bronze)
15mm	92	184	70	5.4	4.6	1.5
20mm	114	227	70	6.0	5.1	1.5
25mm	118	227	102	13.2	11.2	2.5
40mm	153	313	102	24.0	20.4	5.0
50mm	210	383	102	39.7	33.7	7.5

Notes:

- 1) Degreased, packed and labelled for Oxygen Service (ASTM G93)
- 2) Designed in accordance with EN12516 part 1,2&4, ASME 16.34, ASME B16.24
- 3) End Connection: ISO 7-1, ASME B1.20.1
- 4) Tested to ISO 5208, API 598
- 5) 40mm & 50mm diverting valve inlet and outlet position are horizontally aligned

