

# 104 SERIES

## 4-Way Diverting Valve

Cryogenic, Water, Air & Gases

Max Working Pressure 2,500 Kpa (362.5 psi)

Cleaned for Oxygen Service



The Mack 4-Way Diverting Valve is ideally suited for small storage tank solutions where size and weight are important. At only 1.8kgs in weight, it does not require a large amount of bracketing to ensure it is rigid in location. This aids it in being lighter and safer in all transport situations.

The 104 Series Diverting Valve is a smaller flow diverter, making it suitable across a wide range of applications.

Manufactured in Melbourne, Australia, each part is machined and carefully inspected before assembly, to ensure its been machined as per design specifications and tolerances. This practice ensures its dependability through application, in the tight confines, yet not risking leaks and safety of the surrounding environment.

## SELECTION & APPLICATION

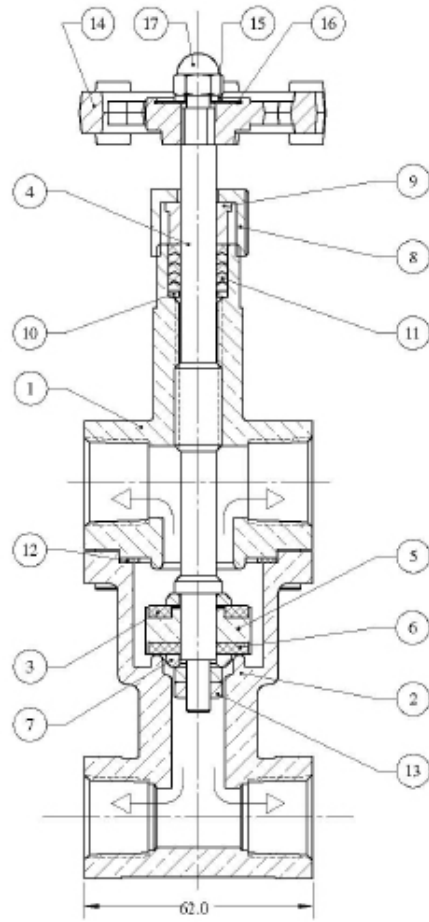
The 104 series diverter valve is particularly suited for micro-bulk and small storage units, and will operate in any liquid cylinder application. With it's small size and weight, installation becomes less complicated and costly, additionally contributing to a reduction in overall transport costs.

The valve will operate from -196°C through to +190°C. The cap over the handle nut, can be custom printed for application.

## PRODUCT NUMBERING

4-Way Diverting Valve										
104	-	#	#				##		-	###
Base No.	-	Material of Construction					End Connection		-	Size (mm)
		Body		Trim	Spindle	Disc				
104		1	Bronze	2	BR	SS	PTFE	08	Rc - BSPT	015
								8A	NPT	

All build options are available from Mack on special order, thus enabling clients to create their own specifications for their own specific needs, but our stock is based around common material specifications favoured by the cryogenic, steam and general process industries.



ITEM NO.	DESCRIPTION
1	Top Body
2	Bottom Body
3	Disc
4	Spindle
5	Disc Holder
6	Disc
7	Disc Washer
8	Gland Nut
9	Gland
10	Gland Washer
11	V-Packing
12	Gasket
13	Lock Nut
14	Handwheel
15	Flat Washer
16	Name Plate
17	Dome Nut

	Face to Face NPT/BSPT	Height mm (Open/Closed)	Handwheel ØG	Cv US Gal/Min	Kv m <sup>3</sup> /hr	Weight kg
15mm	62	205/215	70	3.7	3.2	1.8

**Notes:**

- 1) Degreased, packed and labelled for Oxygen Service (ASTM G93)
- 2) Designed in accordance with EN12516 part 2&4, AS1210, EN1626, ASME 16.24
- 3) Tested to ISO 5208, API 598

