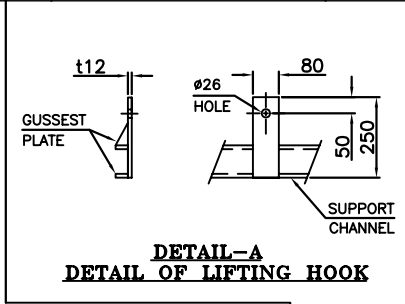
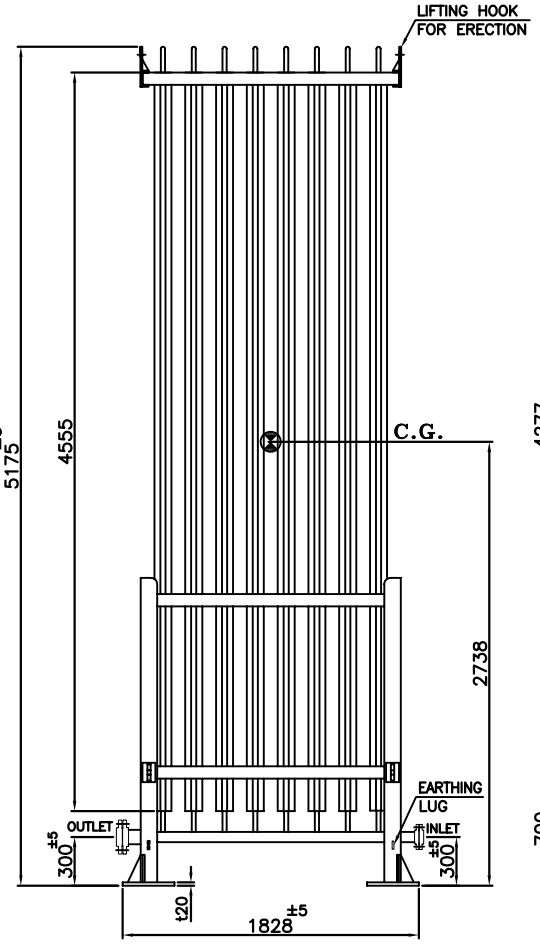


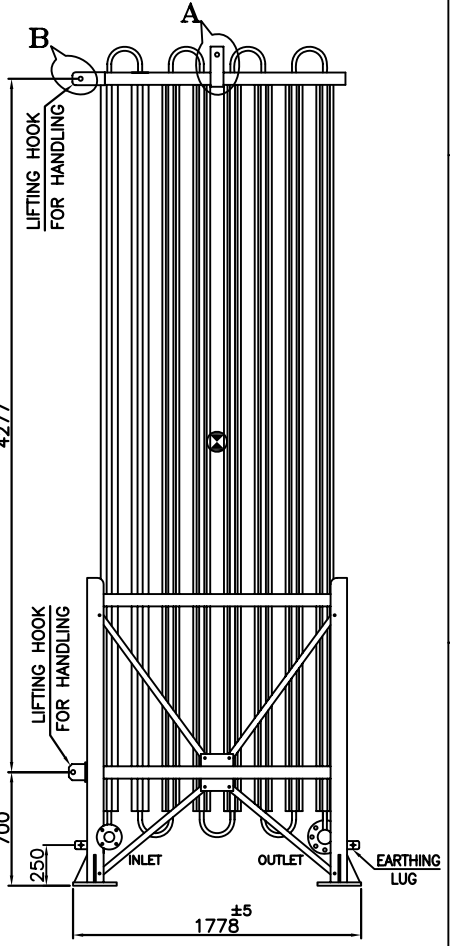
3.2 PLAN



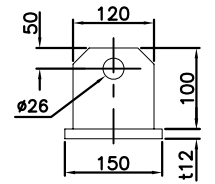
DETAIL-A
DETAIL OF LIFTING HOOK



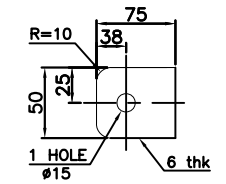
3 ELEVATION



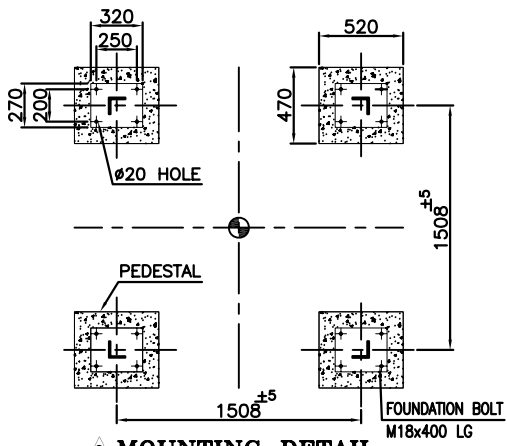
3.2 SIDE VIEW



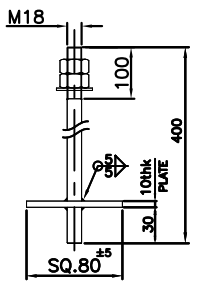
DETAIL OF HANDLING LIFTING HOOK
DETAIL-B



3 DETAIL OF EARTHING LUG
QTY.-2 NOS.



2 MOUNTING DETAIL



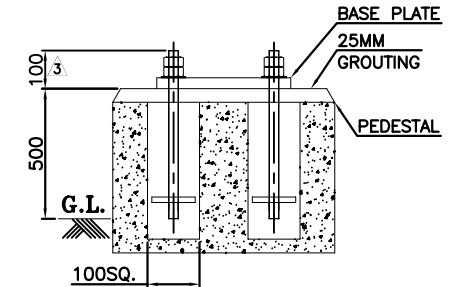
3 FOUNDATION BOLT
(NOT IN INOX SCOPE)

DESIGN DATA

| NO. | DESCRIPTION | UNIT | DATA |
|-----|---------------------------------|------------------------|--------------------------------|
| 01 | DESIGN CODE | --- | ASME SEC VIII, DIV 1, ED.-2010 |
| 02 | MAX. OPERATING PRESSURE | Kg/cm ² (g) | 38.0 |
| 03 | DESIGN PRESSURE | Kg/cm ² (g) | 40.0 |
| 04 | PNEUMATIC TEST PRESSURE | Kg/cm ² (g) | 44.0 |
| 05 | DESIGN TEMPERATURE | DEG. C | -196 to +65 |
| 06 | INLET FLANGE CONNECTION (SORF) | --- | 1-1/2" NB 300# (ANSI B16.5) |
| 07 | OUTLET FLANGE CONNECTION (SORF) | --- | 3" NB 300# (ANSI B16.5) |
| 08 | APPROXIMATE WEIGHT (EMPTY) | Kg | 1120 APPROX. |
| 09 | APPROXIMATE WEIGHT (OPERATING) | Kg | 1680 APPROX. |

MATERIAL OF CONSTRUCTION

| | |
|-------------------------|---------------------------|
| FINNED EXTRUSION | SB221A96063T5 |
| HEADER, PIPE | SB241A96063T5 |
| FRAME WORK/EARTHING LUG | SB221A96063T6 |
| BRACKET | SB221A96063T5 |
| FLANGES | SB221A96063T6 |
| COUNTER FLANGE | SA182 F304 |
| STUD/NUT/WASHER | SA193 Gr. B8/ SA194 GR. 8 |
| GASKET | PTFE |
| FOUNDATION BOLT | IS:2062 GR.B/A36 |



DETAIL OF FOUNDATION POCKET

| REV. | DATE | DRN BY | DESCRIPTION | REVISED ZONE | CHD. BY | APPD. BY |
|------|----------|--------|--------------------------------------|--------------|---------|----------|
| 03 | 24.02.12 | NIRAJ | DESIGN & PNEUMATIC TEST PR. MODIFIED | ALL | NVK | JPP |
| 02 | 22.09.08 | HMP | CONFIGURATION REVISED | ALL | DVP | DVP |
| 01 | 01.04.06 | HMP | DESIGN PRESSURE REVISED | AB | DVP | DVP |

| REF.DRG.:- | | WO.NO.:- STD | | REVISION TABLE | |
|------------|------------|--|--------------|----------------|--|
| DRN | Himanshu | CAD FILE: | AVC-1250-012 | A2 | |
| CHD | D.V.P. | TITLE:- GENERAL ARRANGEMENT & FOUNDATION DETAIL OF ATMOSPHERIC VAPORISER | | | |
| APPD | D.V.P. | | | | |
| SCALE | N.T.S. | | | | |
| DATE | 28.08.2005 | (MODEL-AVC1250) | | | |

INOX INDIA LTD VADODARA

DRAWING NO. AVC-1250-012 REV. 3