



Mack's pilot controlled Pressure Build & Reducing valves have been designed to give you piece of mind, knowing that your system is operating at exactly the pressure it should be to deliver maximum results.

This valve additionally aids in managing unwanted pressure fluctuations, to ensure your system is operating at its optimum settings.

SELECTION & APPLICATION

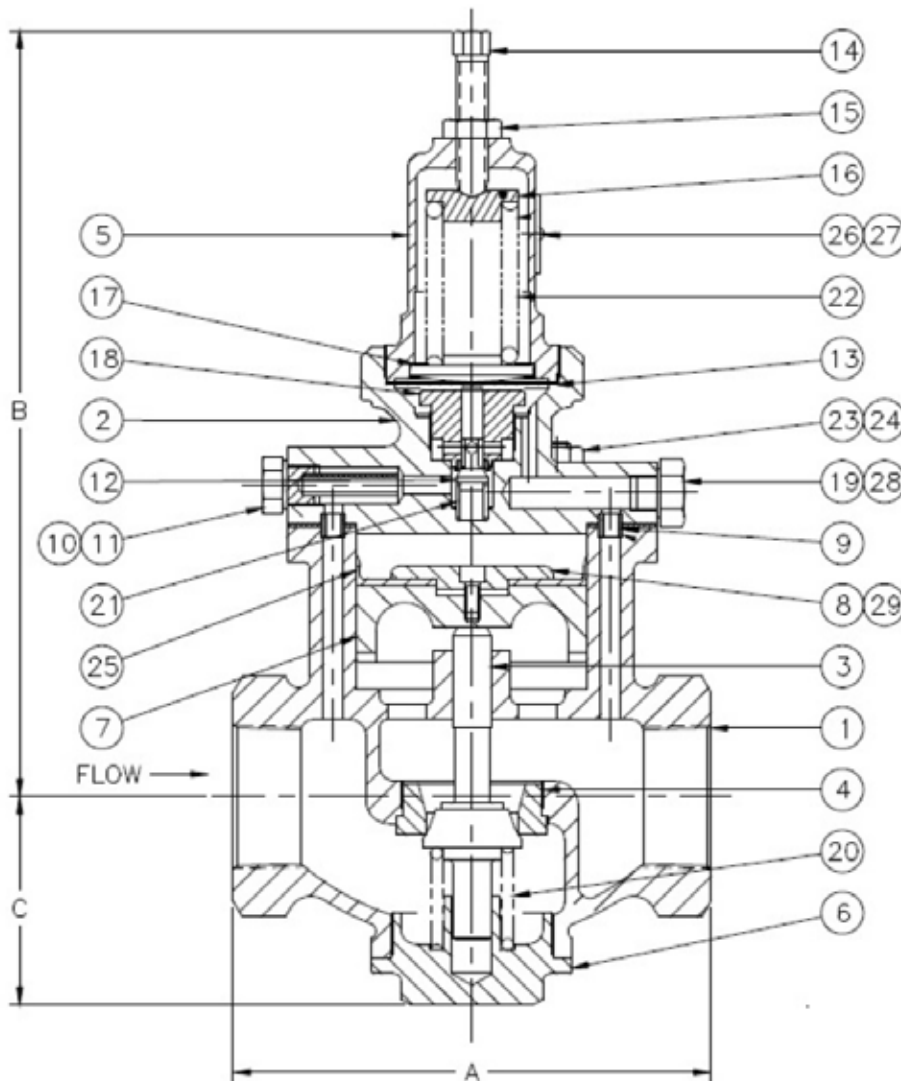
Mack's pressure build and reducing valves are suitable for cryogenic, gas, water & steam service and are available in both Bronze and SS. Available with options of BSPT and NPT end connections, and in sizes from 15mm to 25mm; various materials (HTB1, Monel) are available upon request.

*Standard models only operate up to 2,500 Kpa, with a unique model available for this wosure.

PRODUCT NUMBERING

Pressure Build & Reducing Valve									
79	-	#	#	#	#	##	-	###	
Base No.	-	Body Material	Trim	Service		End Connection	-	Size	
		1 Bronze	2 BR	1 Cryogenic		08 BSPT		015	
		4 Stainless Steel	4 SS	2 Water		8A NPT		020	
			5 Monel	3 Steam				025	

All build options are available from Mack on special order, thus enabling clients to create their own specifications for their own specific needs, but our stock is based around common material specifications favoured by the cryogenic, steam and general process industries.



ITEM NO.	DESCRIPTION
1	Body
2	Cover
3	Valve
4	Seat
5	Spring Cover
6	Bottom Cap
7	Piston
8	Retaining Disc
9	Ferrule
10	Screen
11	Strainer Plug
12	Pilot Valve
13	Diaphragm
14	Adjusting Screw
15	Lock Nut
16	Spring Pad
17	Diaphragm Pad
18	P.V. Seat Assembly
19	Gasket
20	Spring
21	Pilot Valve Spring
22	Spring
23	Stud
24	Nut
25	Cup Washer
26	Name Plate
27	Drive Pin
28	Hex Plug
29	Cap Screw

Dimensions

	Face to Face (A)	Cl to Top (B)	CL to Bottom (C)	Cv	Kv	Weight
				US Gal/Min	m ³ /hr	
15mm	102	245	60	1.5	1.3	4.8
20mm	102	245	60	3.1	2.7	4.8
25mm	102	248	60	9.6	8.3	5.0
40mm	152	295	71	16.3	14.0	11.0
50mm	197	318	86	24.7	21.3	17.0

Notes:

- 1) Degreased, Packed and labelled for Oxygen Services (ASTM G93)
- 2) Designed in accordance with EN12516 part 1, 2 & 4, AS1210, AS1271, ASME 16.24, ASME B16.34
- 3) End Connection: ISO 7-1, ASME B1.20.1
- 4) Tested to API 598
- 5) Tested to Pressure Equipment Directive (97/23/EC)

